



Dividing Breechings W406028KWE-UK Series Dividing Breeching

W406028KWE-UK Series 2-way Ball-Valved Dividing Breeching

Inlet: 1 x 2½" instantaneous male to BS336:2010.

Outlets: 2 x 2½" instantaneous female, single twist to BS336:2010.

Valves: DN50, ¼-turn ball valve with straight free-flow waterway to give very low friction loss. Stop valves in accordance with DIN 14365.

Maximum w.p. 16 bar
Test Pressure 24 bar
Available in Light Alloy

W406028KWE-UK models are assembled in the UK and fitted with Walter Franks instantaneous connectors manufactured to BS336:2010.

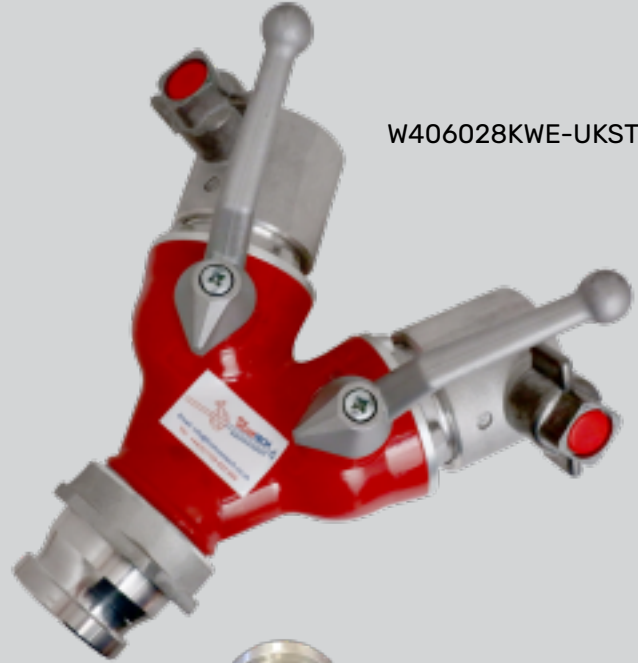
Single twist inst. female connectors are standard but double-pull connectors are available as an option.

A wide range of international connectors are also available.

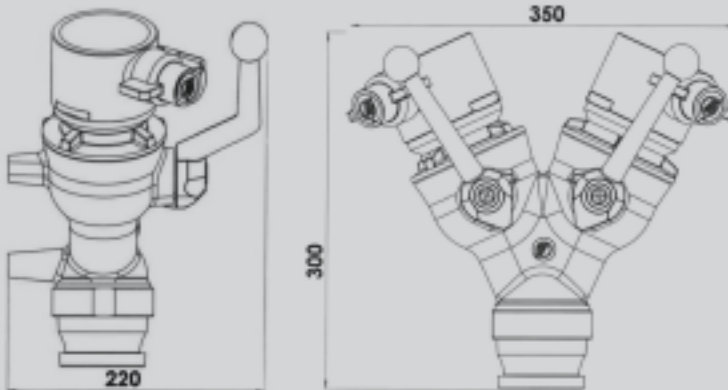
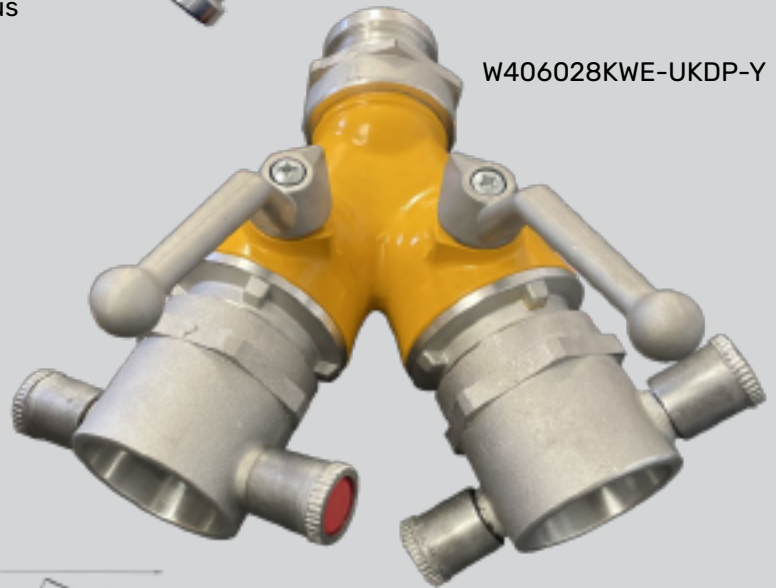
Standard finish in red - alternative colours available at extra cost.

Approximate weight 4.3 kg

W406028KWE-UKST



W406028KWE-UKDP-Y



Fire Hosetech Limited,

Unit 1 Sowarth Field Industrial Estate, Settle, North Yorkshire, BD24 9AG
+44 (0)1729 825 999 | info@firehosetech.co.uk | www.firehosetech.co.uk