



Dividing Breechings

W4060 Series Screwdown Valved Dividing Breeching

W4060 Series

Screwdown Valved Dividing Breeching: 2-way

Inlet: 1 x 2½" instantaneous male to BS336:2010.

Outlets: 2 x 2½" instantaneous female, single twist to BS336:2010.

Valves: Screwdown valves with either 2" or 2½" bonnet.

Manufactured to DIN 14365, the valves are designed to easily operate up to 16 bar in the usual flow direction and 6 bar in the opposite direction.

Maximum w.p. 16 bar
Test Pressure 24 bar
Available in Light Alloy

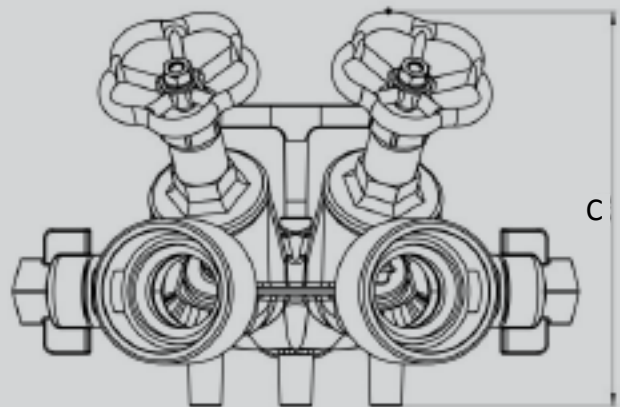
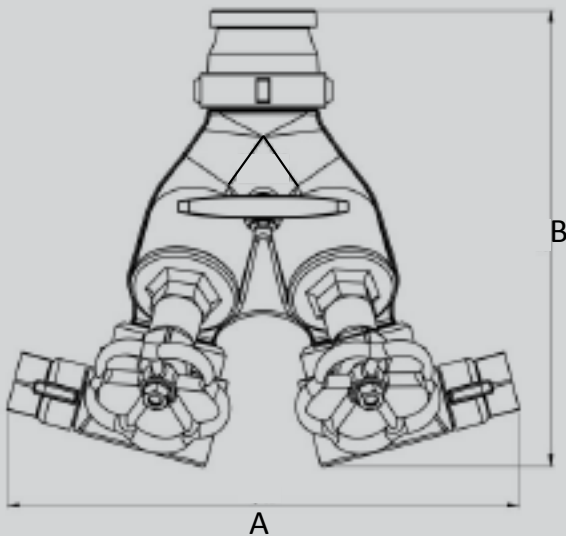
The units are fitted with 2" or 2½" bonnet valves and are usually supplied with instantaneous connectors. We offer both

European manufactured connectors and UK made ones which are suffixed "UK". A wide range of international connectors are available as well as BSP threaded units.

Approximate weight 4.9kg*



Part No.	Bonnet Size	Dim A (mm)	Dim B (mm)	Dim C (mm)
W406019P	2"	344	306	245
W406019PUK	2"	344	306	245
W406024P	2½"	365	341	263
W406024PUK	2½"	365	341	263



Fire Hosetech Limited,

Unit 1 Sowarth Field Industrial Estate, Settle, North Yorkshire, BD24 9AG
+44 (0)1729 825 999 | info@firehosetech.co.uk | www.firehosetech.co.uk