

WATERWAY EQUIPMENT

W3510 Series Standpipes Plug-In & Swivel Types

W3510 series

Standpipes: Plug-in & Swivel Models Light Alloy

Single Head Emergency type.

Inlet: 2½" female hydrant round thread (HRT) fixed (BS750).

Outlet: 2½" female instantaneous (BS336:2010) single twist release - either plug-in or swivel type (see photograph).

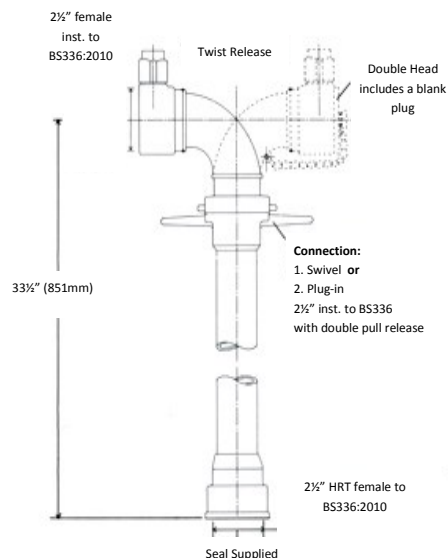
Double Head Emergency type.

Inlet: 2½" female hydrant round thread (HRT) fixed (BS750).

Outlets: 2 x 2½" female instantaneous (BS336:2010) single twist release - either plug-in or swivel type (see photograph). One outlet fitted with L/A blank plug and chain.

Other inlet connections are available including ball, bayonet and Belfast. Spare heads can also be supplied giving flexibility in the field for the plug-in models.

Maximum w.p. 16 bar
Test Pressure 24 bar



Outlet	Head Connection	Height	Code No.
Single Head	Swivel	851 mm	W351001F
	Plug-in	851 mm	W351003F
Double Head	Swivel	851 mm	W351021F
	Plug-in	851 mm	W351023F